

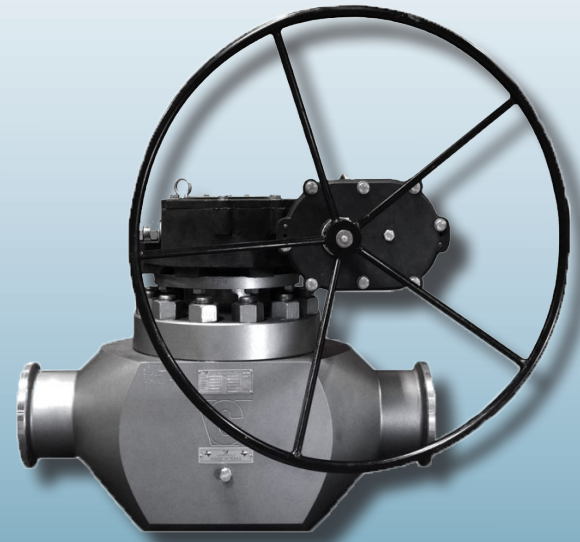
# One Piece Top Entry Ball Valves



## Model: TE-1

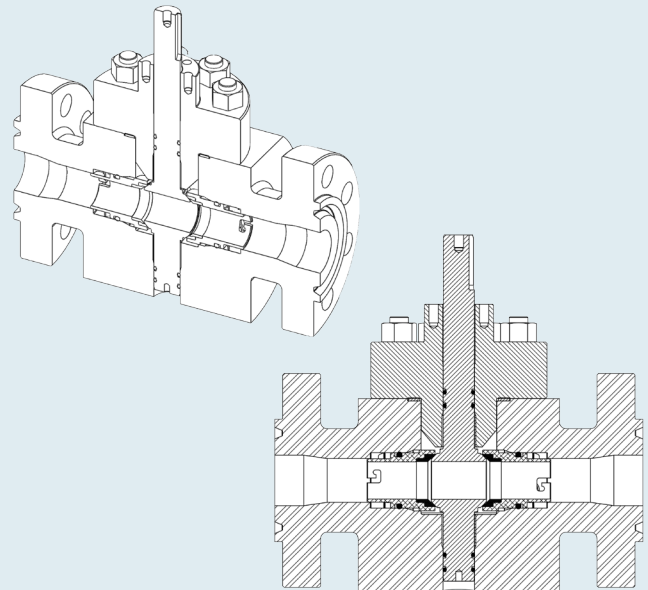
Top Entry, In-Line Repairable (through the Bonnet),  
Trunnion Mounted, Bi-Directional Shut-Off

Sizes:	1.5" to 26" FULL or REDUCED PORT
Pressure Class:	ANSI 150 - 4500 API 2000 - 15000
Design:	B16.34, API 6A, API 6D, BPVC
Temperature:	(-) 320° F (Cryogenic) to (+) 1500° F (High Temperature)
End Connections:	RF / RTJ / WELD END / HUB END Special ANSI B16.5 / API 6A / ANSI B16.25
Leakage Class:	-API 6D & API 6A - PSL1-3G -API 598 Zero Leakage -ANSI/FCI 70.2 Class V & VI (Metal Seated) -API 622/API 641 Type Tested
Actuation:	Manual, Pneumatic, Hydraulic, Electric...



## Standard Features

1. Metal-to-metal body/bonnet seal: reliable and fire safe
2. Solid one-piece ball, stem trunnion designs: Stronger, simpler, and more accurate
3. Pre-loaded, pressure assisted seating, bi-directional seating: no lateral ball movement along flow bore. Pre-loading provides uniform torque. Pressure assistance assures tighter seal.
4. Engineered stem and seat seals per customer specification
5. Trunnion bearing supports: assures alignment and reduce ball/seat torque



1535 Industrial Drive, Missouri City, TX. 77489  
www.cornerstonevalve.com  
(281) 880-8188 sales@cornerstonevalve.com

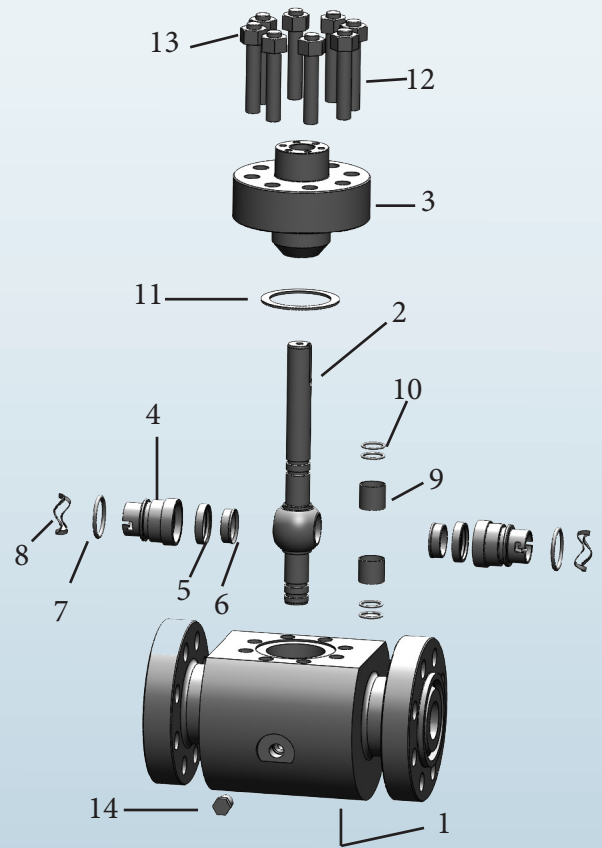


# Model: TE-1

## PARTS LIST

A/R = AS REQUIRED

ITEM	QTY	DESCRIPTION
1	1	Body
2	1	Ball
3	1	Bonnet
4	2	Seat pool (soft or metal)
5	2	Seat insert (soft seat only)
6	2	Seat lock ring (soft seat only)
7	2	Piston Seal (seat)
8	2	Wave spring
9	4	Bearing (stem)
10	4	Stem Seal
11	1	Bonnet Seal
12	A/R	Stud
13	A/R	Nut
14	2	Test Plug



CORNERSTONE VALVE  
CAN ASSIST IN  
SELECTION OF THE  
OPTIMUM MATERIALS FOR  
YOUR SPECIFIC SERVICE.

## Applications

- Oil & gas production / Crude Oil
- Gas Utilities and Natural Gas Compression
- Ore slurries, Sewage, Sludge and Abrasive
- HRSG, Blowdown, & High Temp Steam
- Cryogenic liquid/gas in LNG Service
- Subsea: Shallow and Deepwater
- Refining, Coking, Chemical & Petrochemical
- Fertilizer, Ammonia, Carbon Capture, Hydrogen

## Materials

Carbon Steel, Stainless Steel, Duplex, Chrome, Molybdenum, Nickel & Titanium based alloys and other exotic alloy available upon request.

## Available Options

- Solids proof design
- In-line repairability through the Bonnet!
- Double block & bleed standard (or twin ball)
- Steam purge ports
- Secondary & Tertiary stem seals
- Soft seated or metal seated
- Various ball coatings (HVOF)
- CRA Overlays (316SS, Inconel 625)
- Firesafe
- Subsea up to 11,000 ft. hyperbaric tested
- Materials to NACE MR01-75 standards
- FE ISO15848 & API 641 Available

## Certificates & Licenses



**Certificate of Authority to use the Official API Monogram**  
License Number: **6A-0321** ORIGINAL

The American Petroleum Institute hereby grants to  
**CORNERSTONE VALVE**  
1535 Industrial Drive  
Missouri City, TX  
United States

the right to use the Official API Monogram<sup>®</sup> on manufactured products under the conditions in the official publications of the American Petroleum Institute entitled API Spec Q1<sup>®</sup> and **API-6A** and in accordance with the provisions of the License Agreement.

In all cases where the Official API Monogram is applied, the API Monogram shall be used in conjunction with this certificate number: **6A-0321**

The American Petroleum Institute reserves the right to revoke this authorization to use the Official API Monogram for any reason satisfactory to the Board of Directors of the American Petroleum Institute.

The scope of this license includes the following: Gate, Ball, Plug Valves, Check Valves at PSL 1, PSL 2, PSL 3

QMS Exclusions: No Exclusions Identified as Applicable

Effective Date: **JANUARY 19, 2022**  
Expiration Date: **JANUARY 19, 2025**

*Anchel Lidder*  
Senior Vice President of Global Industry Services

To verify the authenticity of this license, go to [www.api.org/compositelist](http://www.api.org/compositelist).

**API 6A-0321**



**Certificate of Authority to use the Official API Monogram**  
License Number: **6D-0164** ORIGINAL

The American Petroleum Institute hereby grants to  
**CORNERSTONE VALVE**  
1535 Industrial Drive  
Missouri City, TX  
United States

the right to use the Official API Monogram<sup>®</sup> on manufactured products under the conditions in the official publications of the American Petroleum Institute entitled API Spec Q1<sup>®</sup> and **API-6D** and in accordance with the provisions of the License Agreement.

In all cases where the Official API Monogram is applied, the API Monogram shall be used in conjunction with this certificate number: **6D-0164**

The American Petroleum Institute reserves the right to revoke this authorization to use the Official API Monogram for any reason satisfactory to the Board of Directors of the American Petroleum Institute.

The scope of this license includes the following: Ball Valves, Gate Valves

QMS Exclusions: No Exclusions Identified as Applicable

Effective Date: **JANUARY 19, 2022**  
Expiration Date: **JANUARY 19, 2025**

*Anchel Lidder*  
Senior Vice President of Global Industry Services

To verify the authenticity of this license, go to [www.api.org/compositelist](http://www.api.org/compositelist).

**API 6D-0164**



**Certificate of Authority to use the Official API Monogram**  
License Number: **6DSS-0073** ORIGINAL

The American Petroleum Institute hereby grants to  
**CORNERSTONE VALVE**  
1535 Industrial Drive  
Missouri City, TX  
United States

the right to use the Official API Monogram<sup>®</sup> on manufactured products under the conditions in the official publications of the American Petroleum Institute entitled API Spec Q1<sup>®</sup> and **API-6DSS** and in accordance with the provisions of the License Agreement.

In all cases where the Official API Monogram is applied, the API Monogram shall be used in conjunction with this certificate number: **6DSS-0073**

The American Petroleum Institute reserves the right to revoke this authorization to use the Official API Monogram for any reason satisfactory to the Board of Directors of the American Petroleum Institute.

The scope of this license includes the following: Subsea Ball Valves

QMS Exclusions: No Exclusions Identified as Applicable

Effective Date: **JANUARY 19, 2022**  
Expiration Date: **JANUARY 19, 2025**

*Anchel Lidder*  
Senior Vice President of Global Industry Services

To verify the authenticity of this license, go to [www.api.org/compositelist](http://www.api.org/compositelist).

**API 6DSS-0073**



**ABS Quality Evaluations**  
Certificate Of Conformance

This is to certify that the Quality Management System of  
**Cornerstone Valve**  
1535 Industrial Drive  
Missouri City, TX 77489  
U.S.A.

has been assessed by ABS Quality Evaluations, Inc. and found to be in conformance with the requirements set forth by:  
**ISO 9001:2015**

The Quality Management System is applicable to:  
**DESIGN AND MANUFACTURE OF SEVERE SERVICE VALVES.**

This certificate may be found on the ABS QE Website ([www.abs-qe.com](http://www.abs-qe.com)). For certificates issued in the People's Republic of China information may also be verified on the CNCA website ([www.cnca.gov.cn/](http://www.cnca.gov.cn/)).

Certificate No: 03874  
Effective Date: 04 February 2022  
Expiration Date: 03 February 2025  
Revision Date: 04 February 2022

*Domonic Townsend*  
Domonic Townsend, President

ANAB  
IAF  
UKAS

Validity of this certificate is based on the successful completion of the periodic surveillance audits of the management system defined by the above scope and is contingent upon ongoing compliance with the ABS Quality Evaluation, Inc. of significant changes to the management system or company's structure.

ABS Quality Evaluations, Inc. 1701 City Plaza Drive, Spring, TX 77388 U.S.A.  
Validity of this certificate may be confirmed at [www.abs-qe.com/cert\\_validation](http://www.abs-qe.com/cert_validation).

Copyright 2011-2022 ABS Quality Evaluations, Inc. All rights reserved.

**ISO9001:2015**