

Two Piece End Entry Ball Valves

Cryogenic Series



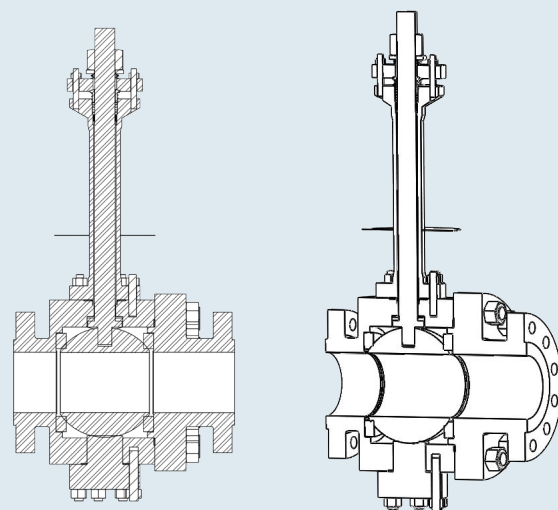
FULL OR REDUCED PORT, BI-DIRECTIONAL
CAVITY RELIEVING, BUBBLE TIGHT SHUT-OFF

Sizes:	API 1/2" - 12"
Ratings:	ANSI/ASME 150 - 2500 API 2000 - 5000
Design Standards:	B16.34, API 6A, API 6D, BPVC
Temperature:	From 450° F (CRYOGENIC) To 450°F (HIGH TEMPERATURE)
End Connections:	SW, BW, RF, RTJ, HUB END ANSI B16.5 / API 6A / ANSI B16.25
Leakage Class:	- Meets or Exceeds BS 6364, ISO 28921 - API - 6D & ISO - 5208 - API - 6A, PSL - 1, 2, 3 & 3G - API - 598 - FCI 70.2, CLASS V & VI (Metal Seat) - Bubble tight (Soft & Metal)
Fugitive Emissions:	ISO 15848 Certified
Actuation:	Manual, Pneumatic, Hydraulic, Electric



Standard Features

1. Spiral wound graphite body/bonnet seal: reliable and fire safe
2. Floating ball, extended stem & bonnet
3. Pre-loaded, pressure assisted seating, bi-directional seating: Cavity-relieving cantilever seats. Pre-loading provides uniform torque. Pressure assistance assures tighter seal.
4. Engineered stem and fugitive emission seals per customer specification
5. Rigid bolted body: optimal strength and versatility



1535 Industrial Dr., Missouri City, TX 77489
www.cornerstonevalve.com
(281) 880-8188

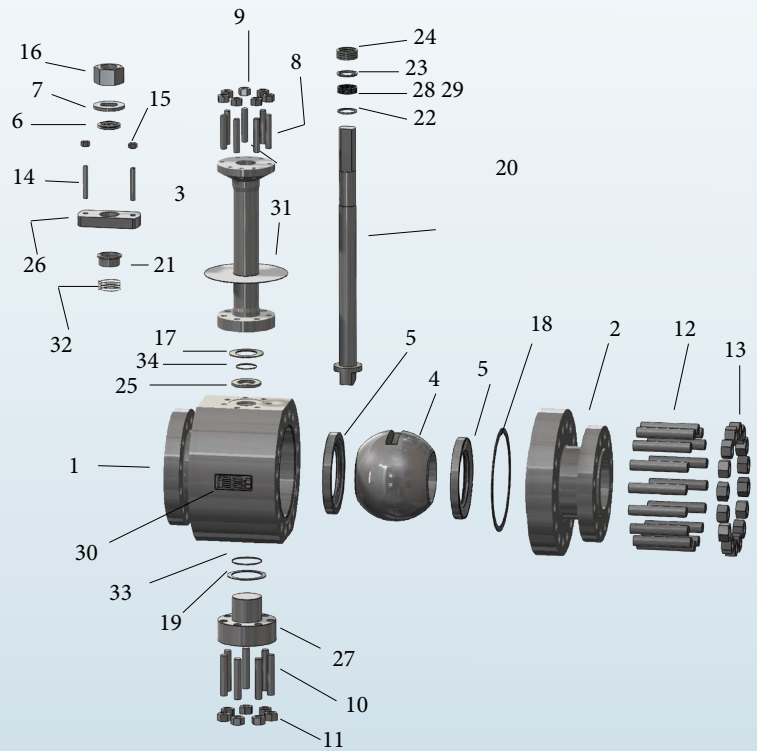


Model: FBC

PARTS LIST

A/R = AS REQUIRED

ITEM	QTY	DESCRIPTION
1	1	Body
2	1	Tailpiece
3	1	Bonnet
4	1	Ball
5	2	Seat
6	1	Spring Set
7	1	Stop Plate
8	A/R	Bonnet Stud
9	A/R	Bonnet Hex Nut
10	A/R	Trunnion Stud
11	A/R	Trunnion Hex Nut
12	A/R	Tailpiece Stud
13	A/R	Tailpiece Hex Nut
14	A/R	Packing Stud
15	A/R	Packing Hex Nut
16	1	Stem Hex Nut
17	1	Body Gasket
18	1	Tailpiece Gasket
19	1	Trunnion Gasket
20	1	Stem
21	2	Packing Follower
22	1	Stem Washer
23	1	Packing Washer
24	4	Graphite Packing
25	1	Thrust Washer
26	1	Packing Flange
27	1	Trunnion Plug
28	10	PTFE Packing
29	2	Stem Anti X Ring
30	1	Valve Tag
31	1	Drip Plate
32	1	Static Spring
33	1	Trunnion Ring
34	1	Bonnet Ring



Materials

Stainless Steel, Stainless, Nickel & Titanium based alloys and other exotic alloy available upon request.

Available Options

- Secondary and Tertiary Stem Seals
- Soft Seated or Metal Seated
- Fire Safe
- Materials to Nace Standards
- More, available upon request

Applications

- LNG Storage / Distribution Service
- Liquid Oxygen Service
- Liquid Nitrogen Service
- Low Temperature Processing
- Petroleum Refining

Certificates & Licenses



Certificate of Authority to use the Official API Monogram
License Number: **6A-0321** ORIGINAL

The American Petroleum Institute hereby grants to
CORNERSTONE VALVE
1535 Industrial Drive
Missouri City, TX
United States

the right to use the Official API Monogram[®] on manufactured products under the conditions in the official publications of the American Petroleum Institute entitled API Spec Q1[®] and **API-6A** and in accordance with the provisions of the License Agreement.

In all cases where the Official API Monogram is applied, the API Monogram shall be used in conjunction with this certificate number: **6A-0321**

The American Petroleum Institute reserves the right to revoke this authorization to use the Official API Monogram for any reason satisfactory to the Board of Directors of the American Petroleum Institute.

The scope of this license includes the following: Gate, Ball, Plug Valves, Check Valves at PSL 1, PSL 2, PSL 3

QMS Exclusions: No Exclusions Identified as Applicable

Effective Date: **JANUARY 19, 2022**
Expiration Date: **JANUARY 19, 2025**

Anchel Lidder
Senior Vice President of Global Industry Services

To verify the authenticity of this license, go to www.api.org/compositelist.

API 6A-0321



Certificate of Authority to use the Official API Monogram
License Number: **6D-0164** ORIGINAL

The American Petroleum Institute hereby grants to
CORNERSTONE VALVE
1535 Industrial Drive
Missouri City, TX
United States

the right to use the Official API Monogram[®] on manufactured products under the conditions in the official publications of the American Petroleum Institute entitled API Spec Q1[®] and **API-6D** and in accordance with the provisions of the License Agreement.

In all cases where the Official API Monogram is applied, the API Monogram shall be used in conjunction with this certificate number: **6D-0164**

The American Petroleum Institute reserves the right to revoke this authorization to use the Official API Monogram for any reason satisfactory to the Board of Directors of the American Petroleum Institute.

The scope of this license includes the following: Ball Valves, Gate Valves

QMS Exclusions: No Exclusions Identified as Applicable

Effective Date: **JANUARY 19, 2022**
Expiration Date: **JANUARY 19, 2025**

Anchel Lidder
Senior Vice President of Global Industry Services

To verify the authenticity of this license, go to www.api.org/compositelist.

API 6D-0164



Certificate of Authority to use the Official API Monogram
License Number: **6DSS-0073** ORIGINAL

The American Petroleum Institute hereby grants to
CORNERSTONE VALVE
1535 Industrial Drive
Missouri City, TX
United States

the right to use the Official API Monogram[®] on manufactured products under the conditions in the official publications of the American Petroleum Institute entitled API Spec Q1[®] and **API-6DSS** and in accordance with the provisions of the License Agreement.

In all cases where the Official API Monogram is applied, the API Monogram shall be used in conjunction with this certificate number: **6DSS-0073**

The American Petroleum Institute reserves the right to revoke this authorization to use the Official API Monogram for any reason satisfactory to the Board of Directors of the American Petroleum Institute.

The scope of this license includes the following: Subsea Ball Valves

QMS Exclusions: No Exclusions Identified as Applicable

Effective Date: **JANUARY 19, 2022**
Expiration Date: **JANUARY 19, 2025**

Anchel Lidder
Senior Vice President of Global Industry Services

To verify the authenticity of this license, go to www.api.org/compositelist.

API 6DSS-0073



ABS Quality Evaluations
Certificate Of Conformance

This is to certify that the Quality Management System of
Cornerstone Valve
1535 Industrial Drive
Missouri City, TX 77489
U.S.A.

has been assessed by ABS Quality Evaluations, Inc. and found to be in conformance with the requirements set forth by:
ISO 9001:2015

The Quality Management System is applicable to:
DESIGN AND MANUFACTURE OF SEVERE SERVICE VALVES.

This certificate may be found on the ABS Q&E Website (www.abs-qe.com). For certificates issued in the People's Republic of China information may also be verified on the CNCA website (www.cnca.gov.cn/).

Certificate No: 03874
Effective Date: 04 February 2022
Expiration Date: 03 February 2025
Revision Date: 04 February 2022

Domonic Townsend
Domonic Townsend, President

ANAB
IAF
UKAS

Validity of this certificate is based on the successful completion of the periodic surveillance audits of the management system defined by the above scope and is contingent upon ongoing compliance with the requirements of ABS Quality Evaluations, Inc. of significant changes to the management system or company name.
ABS Quality Evaluations, Inc. 1701 City Plaza Drive, Spring, TX 77388 U.S.A.
Validity of this certificate may be confirmed at www.abs-qe.com/cert_validation.
Copyright 2011-2022 ABS Quality Evaluations, Inc. All rights reserved.

ISO9001:2015