

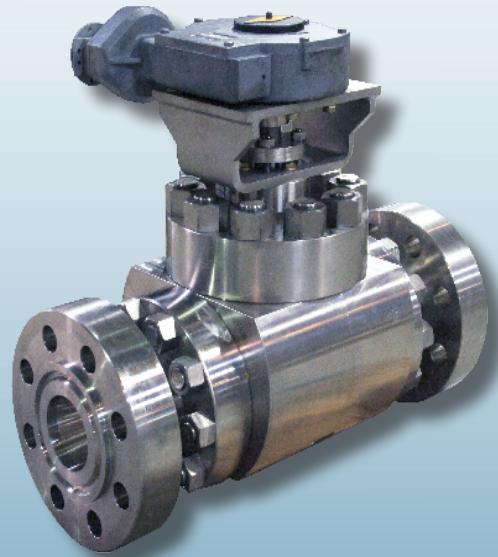
3 Piece Top Entry Ball Valves

Model: TE-3



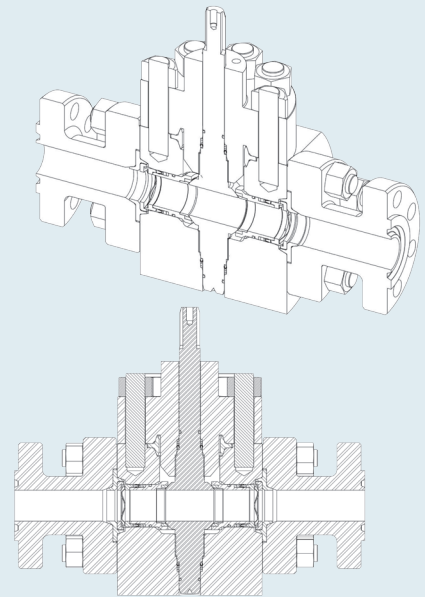
TRUNNION MOUNTED
BI-DIRECTIONAL SHUT-OFF

Sizes:	Up to 4" or 4 & 1/16 th "
Pressure Class:	ANSI / ASME 150 - 4500 B 16.34, API 6A, API 6D, BPVC API 2000 - 15000
Temperature:	(-) 320° F (Cryogenic) to (+) 1500° F (High Temperature)
End Connections:	RF / RTJ / WELD END / HUB END Special ANSI B16.5 / API 6A / ANSI B16.25
Leakage Class:	Bubble Tight (Soft Seated) ANSI/FCI 70.2-Class V & VI (Metal Seated) API 6D & API 6A - PSLI-4 API 598
Actuation:	Manual, Pneumatic, Hydraulic, Electric...



Standard Features

1. Metal-to-metal body/bonnet seal: reliable and fire safe
2. Solid one-piece ball, stem trunnion designs: Stronger, simpler, and more accurate
3. Pre-loaded, pressure assisted seating, bi-directional seating: no lateral ball movement along flow bore. Pre-loading provides uniform torque. Pressure assistance assures tighter seal.
4. Engineered stem and seat seals
5. Rigid bolted body: optimal strength and versatility
6. Trunnion bearing supports: assures alignment and reduce ball/seat torque



1535 Industrial Drive, Missouri City, TX. 77489
www.cornerstonevalve.com
(281) 880-8188 sales@cornerstonevalve.com



Model: TE-3

PARTS LIST

A/R = AS REQUIRED

ITEM	QTY	DESCRIPTION
1	1	Center body
2	1	Ball
3	1	Bonnet
4	2	Seat Pool (soft or metal)
5	2	Seat Seal (soft seat only)
6	2	Seat Retainer (soft seat only)
7	2	Pusher Ring (seat)
8	2	Wave Spring
9	4	Fire-safe Seal (seat)
10	2	O-Ring (seat small O.D.)
11	2	Guide Ring (seat)
12	2	Anti-extrusion Ring (stem)
13	2	Bearing (stem)
14	2	Fire-safe Seal (stem)
15	1	Fire-safe metal Seal (bonnet)
16	A/R	Stud
17	A/R	Nut
18	2	Fire-safe metal Seal (tail-piece)
19	2	Body - Tailpiece
20	A/R	Stud
21	A/R	Nut
22	1	Test plug

Available Options

- Solids proof design
- In - Line repairability
- Double block & bleed
- Steam purge ports
- Secondary & tertiary stem seals
- Soft seated or metal seated
- Various ball coatings
- CRA overlays
- Firesafe
- Subsea
- Materials to nace standards
- More available, upon request

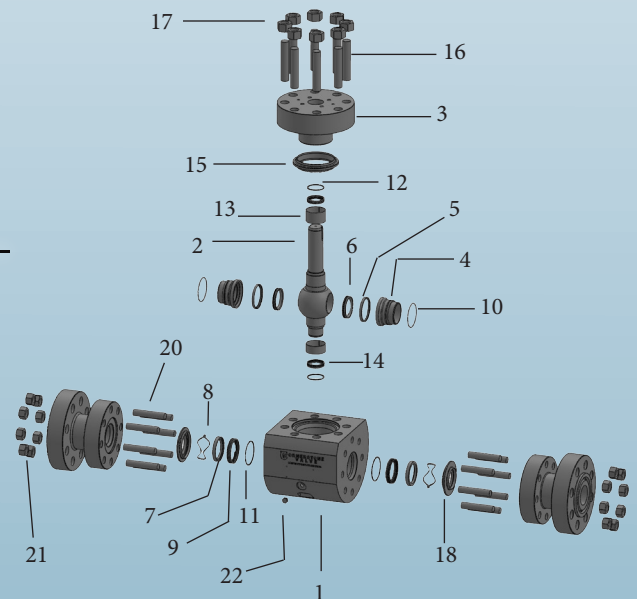
CORNERSTONE VALVE
CAN ASSIST IN
SELECTION OF THE
OPTIMUM MATERIALS FOR
YOUR SPECIFIC SERVICE.

Materials

Carbon Steel, Stainless Steel, Duplex, Chrome Molybdenum, Nickel & Titanium based alloys and other exotic alloys available upon request.

Applications

- Liquids
- Oil & Gas production
- Natural Gas
- Petrochemicals
- Crude Oil
- Polymers
- Steam
- High Pressure Gas
- Cryogenic



CERTIFICATES & LICENSES



API 6A: 0321



API 6D: 0164

ABS Quality Evaluations

Certificate Of Conformance

This is valid for the Quality Management System of
 Cornerstone Valve
 1535 Industrial Drive
 Missouri City, TX 77660
 U.S.A.



ISO 9001:2015



API 6DSS: 0073