

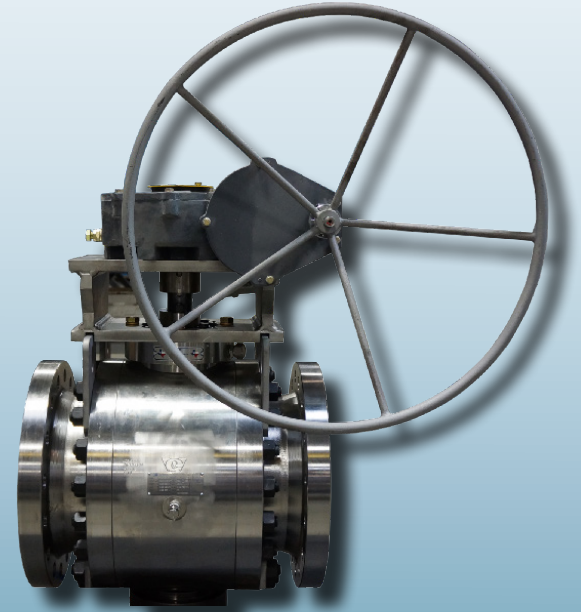
End Entry Trunnion Mounted Ball Valves

EE2/EE3/ST2/ST3 Series



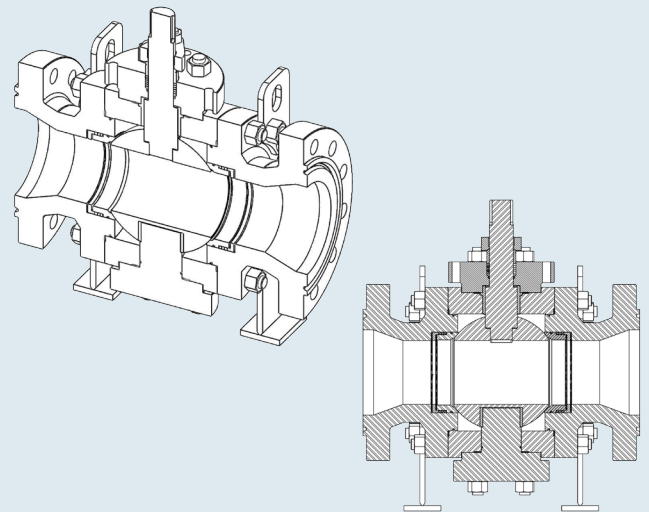
Metal Seated & Soft Seated Options, Cryogenic Option,
Compact Option, 2 & 3 Piece Body Options

Sizes:	ANSI 1" - 36" API 1 ³ / ₁₆ " - 11"
Ratings:	ANSI / ASME: 150 - 4500 API: 2000 - 20000
Design Standards:	API 6D, API 6A, B16.34, BPVC Div. 1 Custom
Temperature:	From (-) 320 °F to (+) 1500 °F
End Connections:	SW, BW, RF, RTJ, Hub Ends & Compact ASME B16.11 / ASME B16.5 / ASME B16.25
Leakage Class Options:	- API 6D & ISO-5208 Rate A - API 598 Bubble Tight (Soft Seated) - ANSI/FCI 70.2 Class V & VI (Metal Seated) - API 6A, PSL - 1, 2, 3 & 3G - API 622, API 641 Type Tested
Actuation:	Manual, Pneumatic, Hydraulic, Electric, Fully Enclosed/Magnetic, Cust. Spec.



Standard Features

1. Metal-to-metal body/bonnet seal: reliable and fire safe
2. Pre-loaded, pressure assisted seating, bi-directional seating: no lateral ball movement along flow bore.
3. Pre-loading provides uniform torque. Pressure assistance assures tighter seal.
4. Rigid bolted body: optimal strength and versatility
5. Trunnion bearing supports: assures alignment and reduces ball/seat torque
6. Double Block & Bleed as standard
7. Offered with FE Packing & API 641 Type Tested as requested; All designs may be ISO15848-1 Qualified



1535 Industrial Dr., Missouri City, TX 77489
www.cornerstonevalve.com
(281) 880-8188



Model: EE/ST

A/R = AS REQUIRED

ITEM	QTY	DESCRIPTION
1	1	Body
2	2	End Flange
3	1	** Ball
4	1	** Stem
5	1	* Lower Trunnion
6	5	* Packing
7	1	* Trunnion Gasket SW
8	1	* Bushing
9	1	* Bushing
10	1	* Thrust Washer
11	1	Bonnet
12	20	Bonnet Stud
13	40	Heavy Hex Nut
14	1	Packing Ring
15	1	Packing Gland
16	2	Packing Stud
17	16	End Flange Stud
18	1	Body Test Port
19	1	* Secondary Stem Seal
20	1	Packing Washer
21	2	** Seat
22	2	Heavy Hex Nut
23	2	Seat Pusher
24	6	* Seat Piston Seal
25	4	Trunnion Stud
26	1	* Bonnet Gasket SW
27	2	* Endflange Gasket SW
28	1	* Thrust Washer
29	1	* Trunnion O-Ring
30	2	* Endflange O-Ring
31	2	* Seat Piston O-Ring
32	48	Seat Spring
33	1	Grease Fitting
34	1	Vented Cap Button Head
35	4	Valve Support Feet
36	4	Lifting Eye

Materials

Carbon Steel, Stainless Steel,
Duplex, Chrome, Molybdenum,
Nickel & Titanium based alloys and other
exotic allow available upon request.

Available Options

- Double isolation & bleed
- Steam purge ports
- Secondary & Tertiary stem seals
- Soft seated or metal seated
- Various ball coatings
- CRA Overlays
- Firesafe
- Materials to NACE standards
- More available, upon request

Applications

- Oil & gas production
- Natural Gas
- Crude oil
- Ore slurries
- Steam & condensate
- Ammonia & Fertilizer

